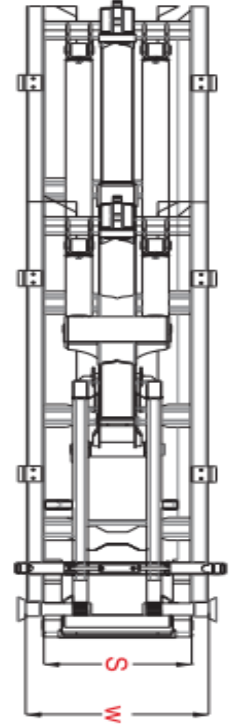
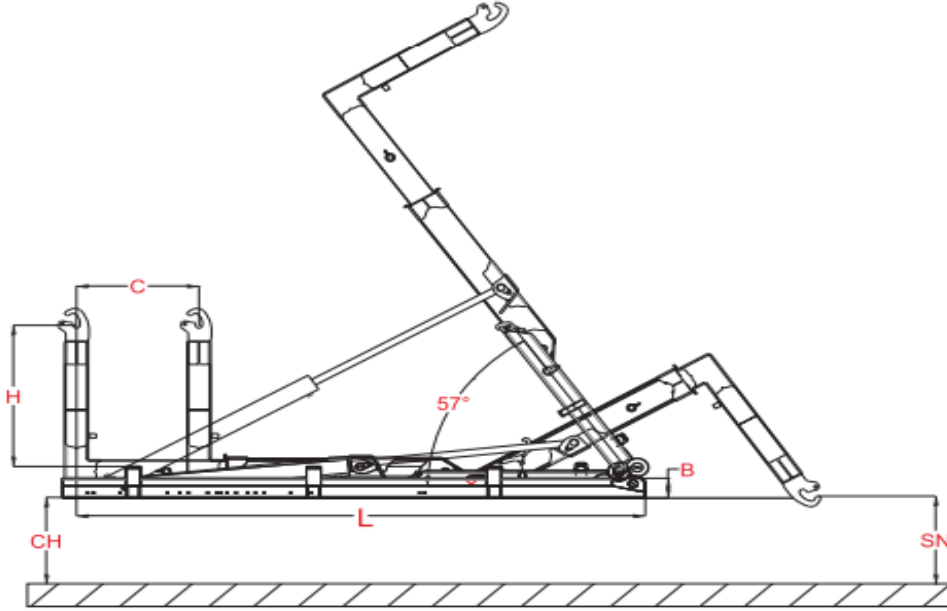


5 Ton HOOKLIFT | Model: Over Truck- L: GC-5



1. SN lowest catch container according to CH :900 and H:900
2. Min/Max Container Height depend can change for local restriction
3. Hydraulic Pump 45 Lt, 1200 rpm Engine Speed, Pto transmission i:1.0
4. Working Pressure : 270 Bar
5. Pto and Hydraulic Oil **Excluded**
6. Aluminium Lateral Support included
7. Mudgard Set included
8. Remote Control **Optional**

CH (Chassis Height) : 900 mm H (Hook Height) : 900 mm

Variation	GC-5-33	GC-5-37	GC-5-41
C mm	700	900	900
B mm	120	120	120
L mm	3300	3700	4100
Weight Kg.	620	680	710
SN mm	810	810	810
Min.-Max. Container Length	2800-3800	3200-4500	3400-4600
S mm	850	850	850
W mm	1050	1050	1050

Not: Each hooklift own weight does not include buffer stabilizer, hydraulic pump, oil tank and accessories equipments weight.
Approximately Eqp. Weights: Stabilizer: 80Kg. , Pump: 10 Kg. , Oil Tank(Without Oil): 13 Kg. , Mudgard Set: 6 Kg. , Aluminium Barrier: 6 Kg.